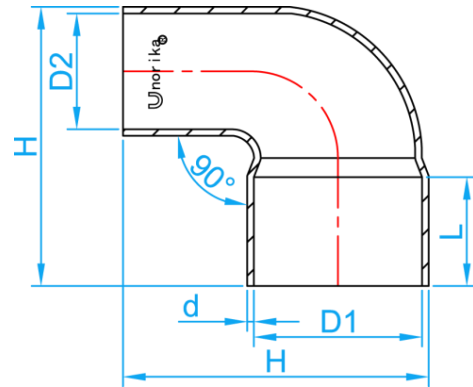


COPPER REDUCING 90° ELBOW

COMPLY WITH BS EN 1254-1



CROSS SECTIONAL VIEW

COMPONENTS PARTS

PARTS	MATERIAL
Elbow	Copper

DIMENSIONS

SKU	SIZE (mm)	D1 (mm)	D2 (mm)	d (mm)	L [mm]	H [mm]	WEIGHT (Kg)	PCS/CTN
MBLRE9002015	22 x 15	22	15	0.9	15.4	35	0.021	500
MBLRE9002515	28 x 15	28	15	0.9	17.0	37	0.032	200
MBLRE9002520	28 x 22	28	22	0.9	19.0	46	0.040	200

 NOTE: The weight tolerance standard is $\pm 5\%$.